

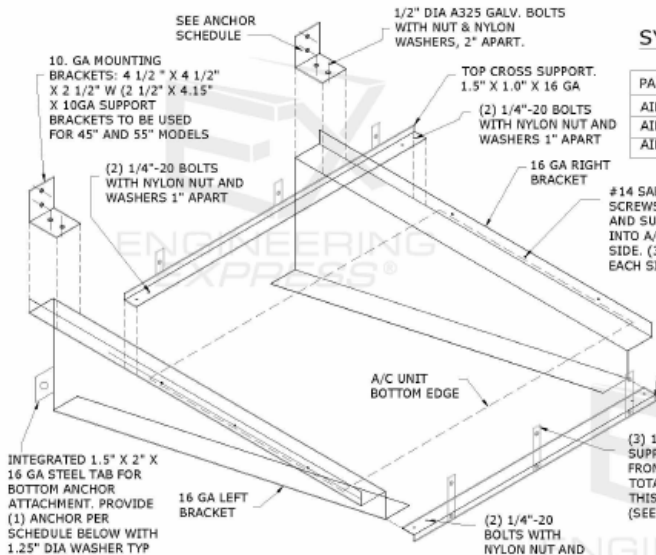
COASTAL & INLAND HURRICANE HVAC UNIT BRACKET

VALID AS A GENERIC SEALED MASTER PLAN ONLY FOR UP TO (2) INSTALLATIONS AT (1) LOCATION. SITE SPECIFIC/ADDITIONAL ENGINEERING REQUIRED THEREAFTER.

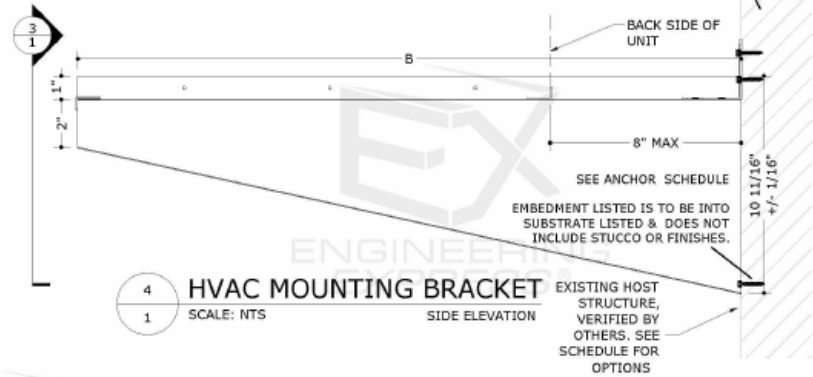
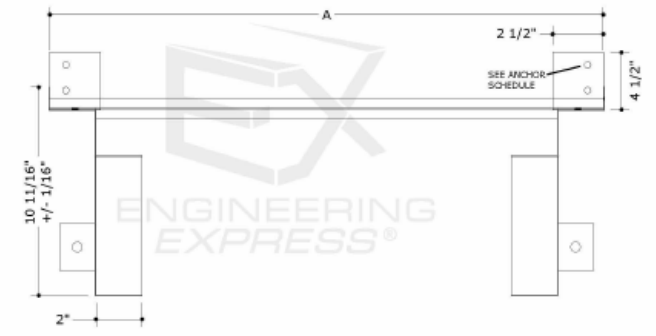
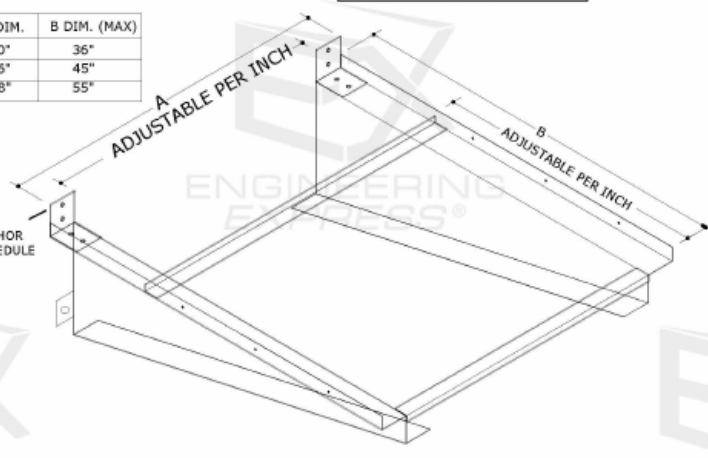
VALID ONLY FOR ZIP CODE: 00000
 VALID ONLY FOR: MANUFACTURER'S COPY ONLY
 NOT VALID FOR PERMIT USE OR CONSTRUCTION PURPOSES
 FRANK BENNARDO PE0046549 CA-9885

SYSTEM CONFIGURATIONS

PART NO.	A DIM.	B DIM. (MAX)
AIRBRACE	30"	36"
AIRBRACE45S	36"	45"
AIRBRACE55S	48"	55"



1 HVAC MOUNTING BRACKET
 1 SCALE: NTS
 EXPLODED VIEW



ANCHOR SCHEDULE (PER BRACKET)						
MAX ASD WIND PRESSURE (UPLIFT)	MAX UNIT DIMENSIONS (LENGTH x WIDTH x HEIGHT, IN)	MAX UNIT WEIGHT (LBS)	3 KSI MIN CONCRETE	1.5 KSI MIN GROUT FILLED CONCRETE BLOCK	1/8" THICK MIN. STEEL	WOOD (G=0.55 MIN)
± 90 PSF	48 x 48 x 30	425	(1) 1/2" DIA. DEWALT SCREW-BOLT+ WITH 3-1/2" EMBED. AND 8" MIN EDGE DIST.	(1) 1/2" DIA. DEWALT SCREW-BOLT+ WITH 4" EMBED. AND 12" MIN EDGE DIST.	(2) 1/2" SAE GRADE 5 UNC BOLTS WITH 1-1/2" MIN. SPACING AND 3/4" MIN FROM ANY STEEL EDGE. PROVIDE 5 PITCHES MIN PAST THREAD PLANE	(2) 1/2" DIA. LAG SCREWS WITH 2-1/2" MIN THREAD PENETRATION, 1-1/2" MIN. SPACING AND 3/4" MIN EDGE DIST.

NOTE*: THIS MOUNTING BRACKET IS CERTIFIED FOR BOTH LATERAL AND UPLIFT WIND PRESSURES PER THE CRITERIA IN THE DESIGN SCHEDULE HEREIN. THIS BRACKET IS CERTIFIED ONLY FOR ATTACHMENTS TO THE SIDE OF BUILDINGS, NOT FOR ROOFTOP CONDITIONS OR INSTALLATIONS. THIS PRODUCT IS NOT APPROVED FOR MISSILE IMPACT UNDER ANY CIRCUMSTANCE.

THIS DOCUMENT IS THE PROPERTY OF ENGINEERING EXPRESS, INC. IT IS TO BE USED ONLY FOR THE PROJECT AND SITE SPECIFICALLY IDENTIFIED HEREIN. NO PART OF THIS DOCUMENT IS TO BE REPRODUCED OR TRANSMITTED IN ANY FORM OR BY ANY MEANS, ELECTRONIC OR MECHANICAL, INCLUDING PHOTOCOPYING, RECORDING, OR BY ANY INFORMATION STORAGE AND RETRIEVAL SYSTEM. WITHOUT THE WRITTEN PERMISSION OF ENGINEERING EXPRESS, A VIOLATION OF THIS AGREEMENT WILL BE PROSECUTED TO THE FULL EXTENT OF THE LAW.

ENGINEERING EXPRESS
 POSTAL ADDRESS:
 2234 NORTH FEDERAL HWY #7664
 BOCA RATON, FL 33431
 ENGINEERINGEXPRESS.COM

DUCTMATE INDUSTRIES
 210 FIFTH STREET
 CHARLOTTE, PA 15022
 1-800-245-3188
 COASTAL AND INLAND HURRICANE
 HVAC UNIT BRACKET
 FEB 2020 & 2023, IBC/IRC 2012/15/18/21

REV	DATE	BY	CHKD	DATE
1	02/20/23	FRANK BENNARDO	FRANK BENNARDO	02/20/23
2	02/20/23	FRANK BENNARDO	FRANK BENNARDO	02/20/23
3	02/20/23	FRANK BENNARDO	FRANK BENNARDO	02/20/23

23-67540
 SCALE: NTS UNLESS NOTED
 2

FOR REFERENCE ONLY